

**CLUB PRO CABANA RETROFIT UPPER STRUT ASSEMBLY ON YAMAHA GOLF CAR**

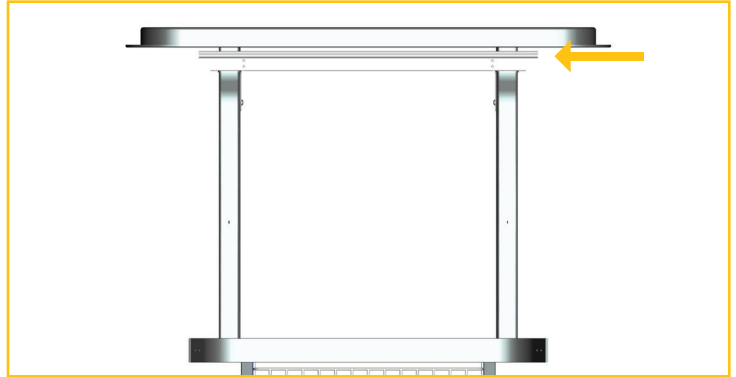
**Hardware Included:**  
3/32" Pop Rivet

**Tools Needed:**  
4mm Hex Key Wrench  
Flat Head Screwdriver  
Hammer  
Pop Rivet Gun

**INSTALLING NEW ASSEMBLY**

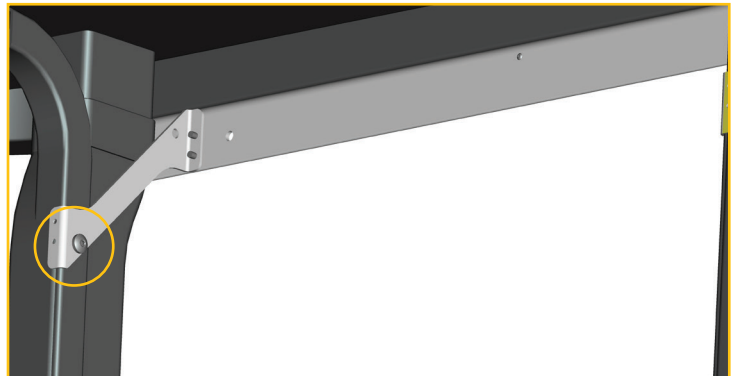
**4**

Slide the new plastic strut assembly onto the track bead so that it is centered on the Cabana cover



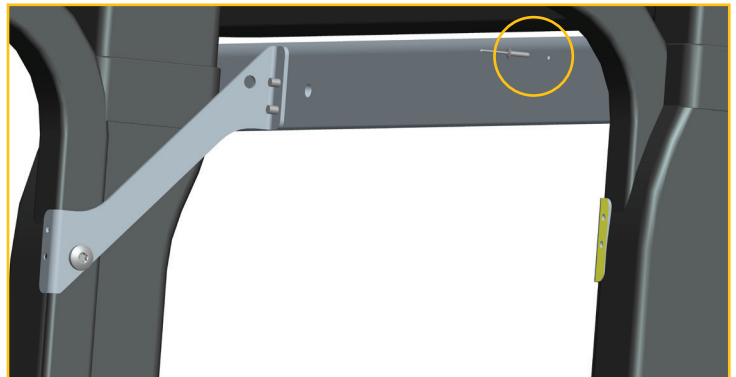
**5**

Re-install (2) M6 mount bolts with the 4mm Hex Key Wrench



**6**

Confirm the Cabana cover is centered in the new plastic strut, then set the rivet into the assembly

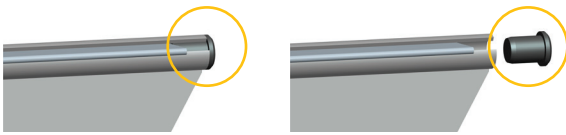


**\*It is not necessary to disconnect Cabana from the lower mounts**

**REMOVING OLD ASSEMBLY**

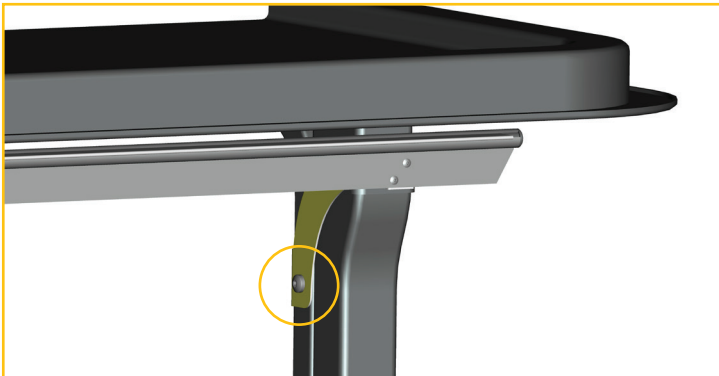
**1**

Using a flat head screwdriver and hammer, tap out one plug from the aluminum strut



**2**

Remove (2) M6 mount bolts with the 4mm Hex Key Wrench



**3**

Slide the aluminum strut assembly off of the track bead on the Cabana cover

