

CLUB PRO CABANA INSTALLATION ON YAMAHA GOLF CAR

PARTS AND FEATURES

Congratulations on the purchase of your Club Pro Cabana™, a great choice that will provide years of quality service while adding style and functionality to your golf car.

To use your Club Pro Cabana™, simply unzip the cover and unfold to open. To store away, simply dry cover, fold in and zip closed.

Please call us with any questions or comments at 1-800-467-2844 or visit us at www.clubpro.com to discover more great golf products.

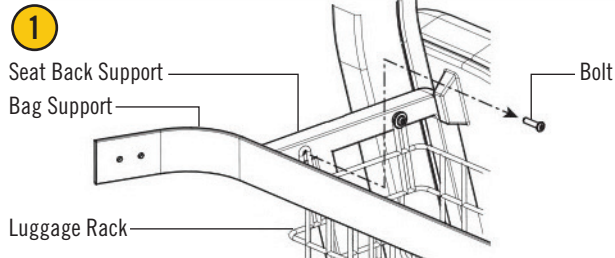
Hardware Included:

- M6 x 30mm Socket Bolt (x2)
- M6 x 50mm Socket Bolt (x2)
- Lock Washers (x4)
- Flat Washers (x4)

Tools Needed:

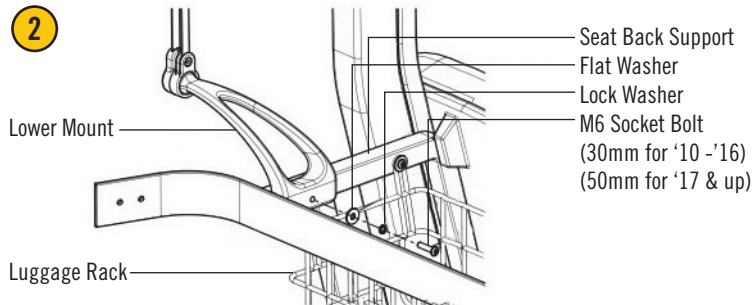
- 4mm Hex Key Wrench
- 10mm Wrench

ASSEMBLY INSTRUCTIONS



Remove bolt that attaches luggage rack to left side of seat back support to bag support and discard. Repeat on right side.

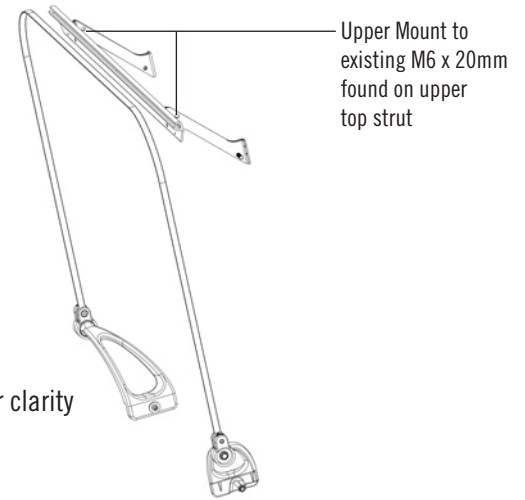
Note: For 2017 & up models, save the nut from the removed bolt.



For 2010-2016 Model Year: Use the M6 x 30mm Socket Bolts. Assemble one lock washer and one flat washer onto each bolt. Insert into left lower mount and luggage rack and fasten to seat back support. Repeat on right side.

For 2017 & Up Model Year: Use the M6 x 50mm Socket Bolts. Assemble one lock washer and one flat washer onto each bolt. Insert into left washer and through luggage rack support and secure with nut from previously removed bolt. Repeat on right side.

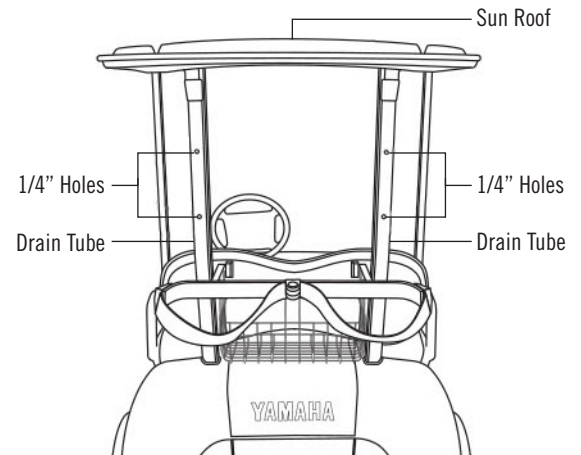
3



Fabric not shown for clarity

Remove existing M6 x 20mm bolts to attach top strut assembly. Use the provided flat washer and lock washer when refastening.

4



Use hole grommets on cover for drilling hole locations. Use pushpins provided to secure the four positions.

INSTALLATION OVERVIEW

