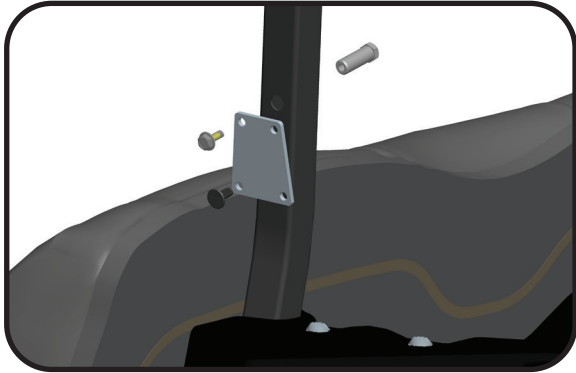


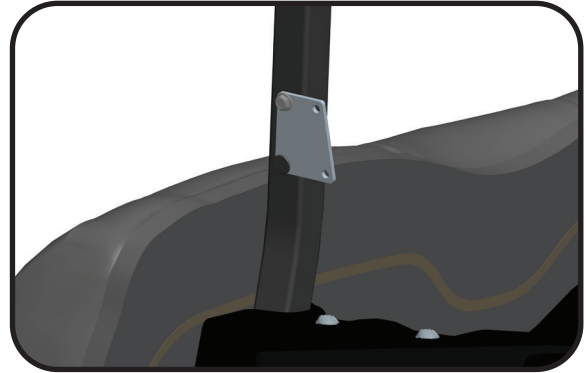
QUIKSAND BOTTLE MOUNTING FOR RXV WITH HIGH BACK CUSTOM SEAT

Step 1



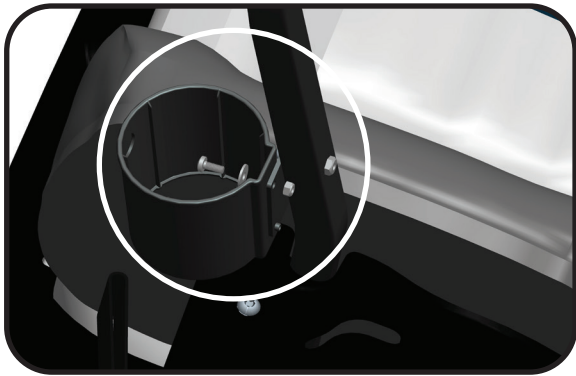
Align plate to factory holes just above seat back, on the exterior of rail. The narrow side of the plate should be at the top.

Step 2



Insert push pin in lower left hole, Insert nut into frame from inside, Insert hex head bolt into nut and tighten.

Step 3



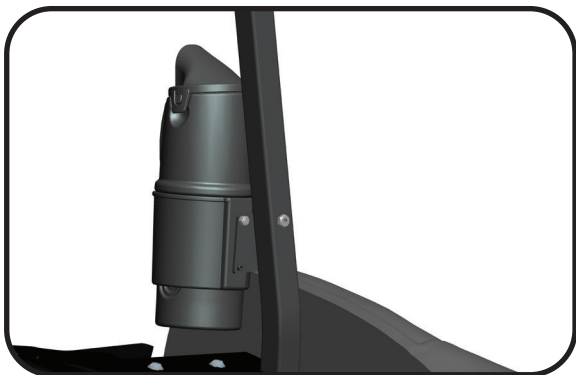
Align hole in plastic bottle holder with top hole in plate. Align peg on plastic bottle holder with lower hole in plate.

Step 4

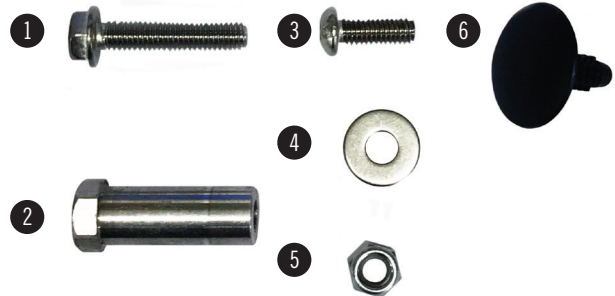


Install bottle holder to plate. Place flat washer on internal drive torx bolt and insert in hole in plastic bottle holder so flat washer is in contact with the plastic bottle holder. Install nut on back side of steel plate.

Step 5



Place bottle in holder.



SUPPLIED HARDWARE

1. M6 Tapite bolt
2. Butternut
3. M6x15 internal torx drive screw
4. M6 flat washer
5. M6 elastic stop nut
6. Pushpin