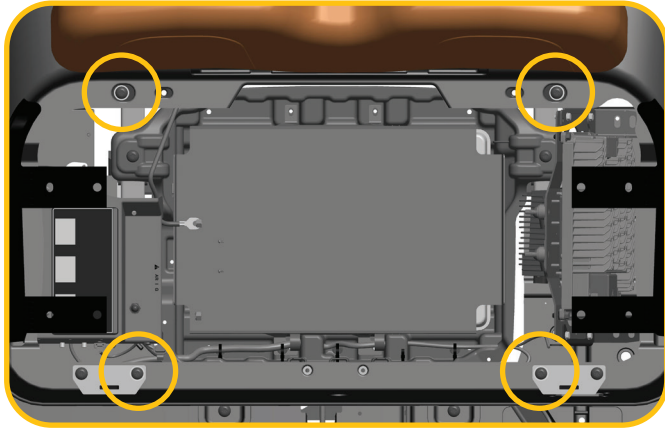


INSIDER BAG INSTALLATION



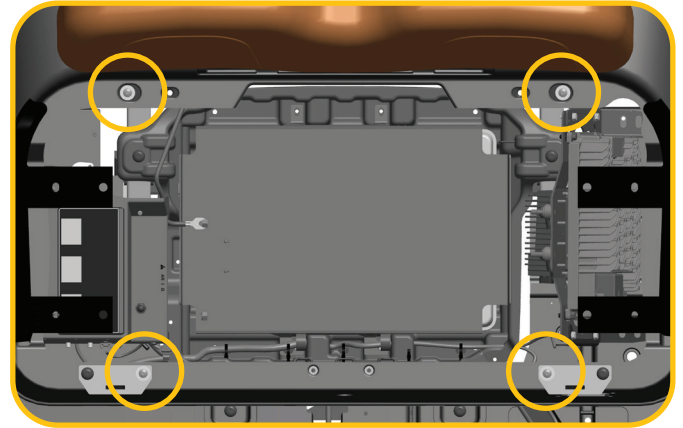
- Only install and use with OEM provided bracket to protect the battery pack
- Prior to installing, clean the bracket covering the battery

Step 1



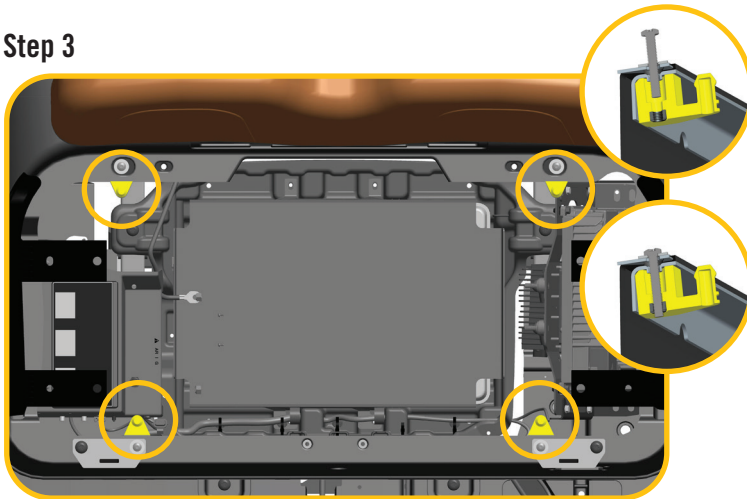
Lift seat bottom and remove these 4 factory bolts. Follow OEM recommendations for complete seat removal from the vehicle (away from the pedal and with the vehicle key turned off).

Step 2



Install 4 bolts and flat washers (provided).

Step 3



Position lugs / nuts and tighten bolts, hook side up.



Step 4



Connect bag, fill it up with your favorites and get out there.

Holds up to 25lbs.

Clean "Vinyl Backed PVC" material with warm soap and water solution.

This product is only available with E-Z-GO models. Be sure to see our websites for additional information and fun new accessories.

<https://shop.txtsv.com/shop-ezgo/accessories>

www.clubpro.com

