

E-Z-GO LIBERTY ENCLOSURE INSTALLATION INSTRUCTIONS

READ ALL INSTRUCTIONS BEFORE INSTALLATION.

WARNING Turn key to OFF position and remove it from the switch. Install wheel chocks in front and behind each wheel before starting installation procedure.

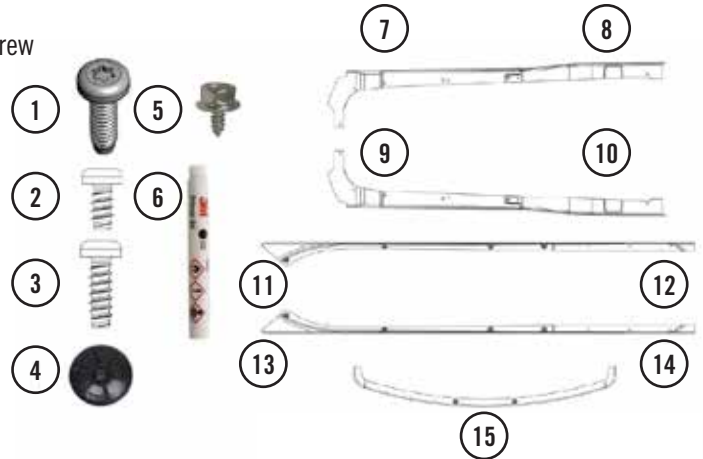
CAUTION Always wear a safety shield or approved safety goggles when working on the vehicle.

TOOLS

- #1 Phillips Head Screwdriver
- T-30 Torx Bit and Drill Motor
- Torque Wrench
- 10mm Wrench
- 3/16 drill bit

CONTENTS

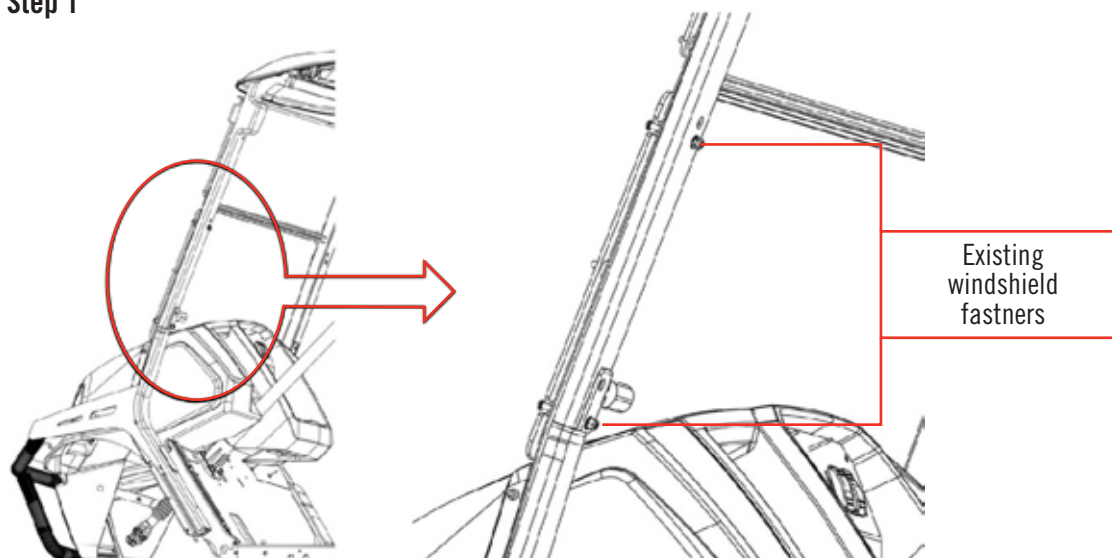
ITEM	QTY	DESCRIPTION
1	8	¼-14 Thread Forming Screw
2	4	M6X12 Plastite Screw
3	14	M6X18 Plastite Screw
4	2	YKK Snad
5	4	Threaded Snap
6	1	Adhesive Primer
7	1	RH Upper Closeout
8	1	RH Lower Closeout
9	1	LH Upper Closeout
10	1	LH Lower Closeout
11	1	RH Front Rail
12	1	RH Rear Rail
13	1	LH Front Rail
14	1	LH Rear Rail
15	1	Interior Cross Car Rail



VEHICLE PREPERATION

1. Compare kit contents list to the parts package kit. Make sure all parts are included before beginning installation.
2. Park vehicle on a flat surface.
3. Turn the key to the OFF position and remove key from switch.
4. Chock wheels to keep vehicle from rolling.

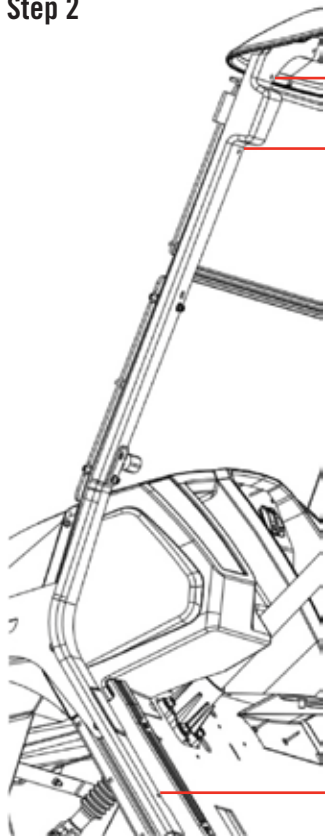
Step 1



Install LH upper and lower closeouts using existing windshield bolts, torque to 10 in-lb, repeat on right side.

E-Z-GO LIBERTY ENCLOSURE INSTALLATION INSTRUCTIONS

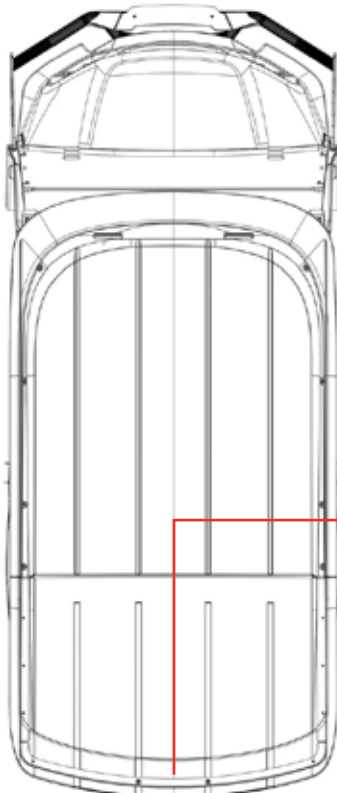
Step 2



Using T30 Torx bit, install thread forming screws in line with pre-existing holes in close outs

Using the close-outs as a guide, transfer drill 3/16 holes into the struts. Secure close-outs with the 1/4-thread forming screws.

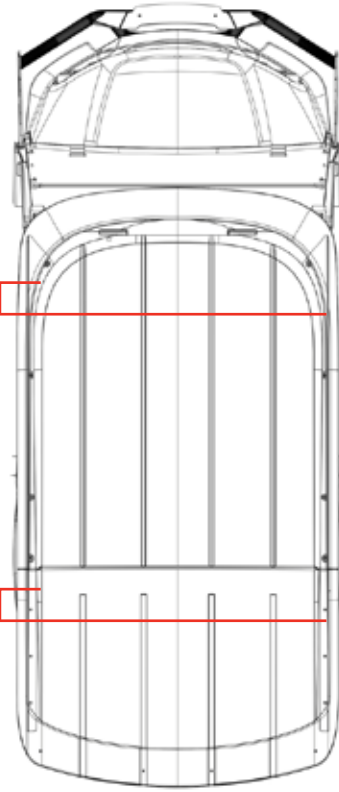
Step 4



Cross Car Rail

Install cross car rail. Using T30 Torx bit, drive M6X12 Plastite Screws (4x), torque to 5 in-lb.

Step 3



Front Rail



Rear Rail
(remove tape backing before assembly)

Install rails, using T30 Torx bit, drive M6x18 Plastite screws (14x)
Torque to 8 in-lb

Step 5



Loosely install LH front side quarter panel to closeout. Repeat on right side

E-Z-GO LIBERTY ENCLOSURE INSTALLATION INSTRUCTIONS

Step 6.1



Step 6.2



Align LH quarter panel with LH side panel to ensure zipper engagement, close zipper. Working from front to back, firmly install rubber extrusion while stretching it toward the rear of the cart. Repeat on right side.

Step 7



Install rear panel to cross car rail, engage zippers, close zippers.

Step 8



Install self tapping snaps in line with gutter flap (one on each side of roof seam). Close snaps to secure gutter to canopy.

E-Z-GO LIBERTY ENCLOSURE INSTALLATION INSTRUCTIONS

Step 9



Step 9: Clean rocker panel, apply 3M primer to rocker panel, assemble male snap to fabric as shown, remove backing paper, press snap against rocker panel and apply pressure for 30 seconds. Leave snapped for 1 hour, repeat on right side.

FOR FEATURES AND CARE VIDEOS, PLEASE VISIT CLUBPRO.COM/DOWNLOADS