

# E-Z-GO HAULER ENCLOSURE INSTALLATION INSTRUCTIONS

## READ ALL INSTRUCTIONS BEFORE INSTALLATION.

**WARNING** Turn key to OFF position and remove it from the switch. Install wheel chocks in front and behind each wheel before starting installation procedure.

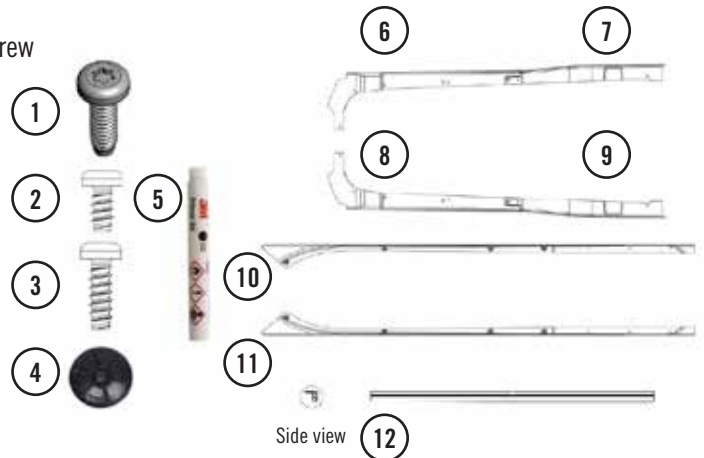
**CAUTION** Always wear a safety shield or approved safety goggles when working on the vehicle.

### TOOLS

- T-30 Torx Bit and Drill Motor
- T-45 Torx Bit
- Torque Wrench
- 3/16 drill bit

### CONTENTS

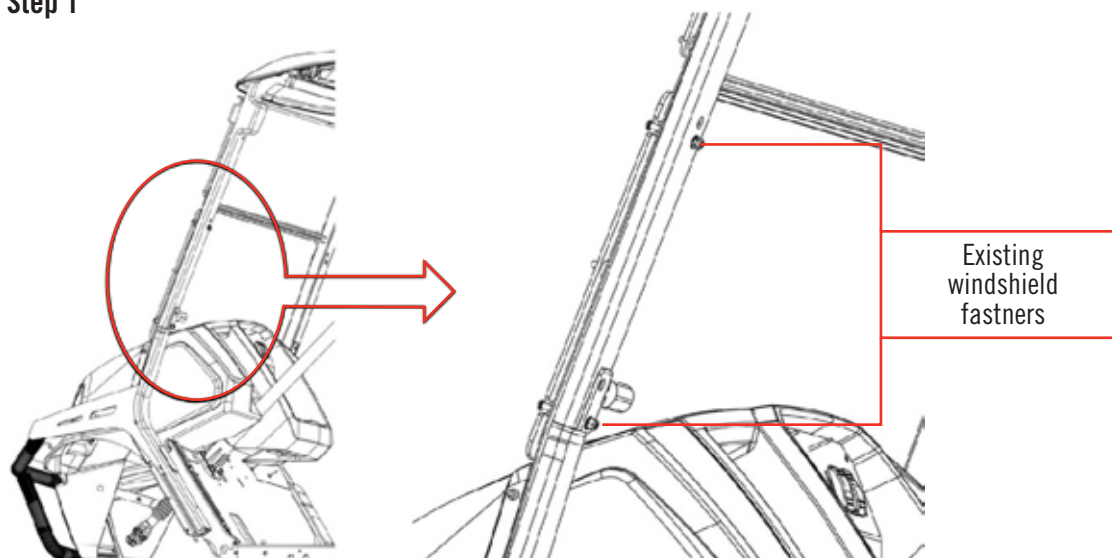
ITEM	QTY	DESCRIPTION
1	8	¼-20 Thread Forming Screw
2	3	M6x12 Plastite Screw
3	8	M6x18 Plastite Screw
4	2	YKK Snad
5	1	Adhesive Primer
6	1	RH Upper Closeout
7	1	RH Lower Closeout
8	1	LH Upper Closeout
9	1	LH Lower Closeout
10	1	RH Front Rail
11	1	LH Front Rail
12	1	Interior Cross Car Rail



### VEHICLE PREPERATION

1. Compare kit contents list to the parts package kit. Make sure all parts are included before beginning installation.
2. Park vehicle on a flat surface.
3. Turn the key to the OFF position and remove key from switch.
4. Chock wheels to keep vehicle from rolling.

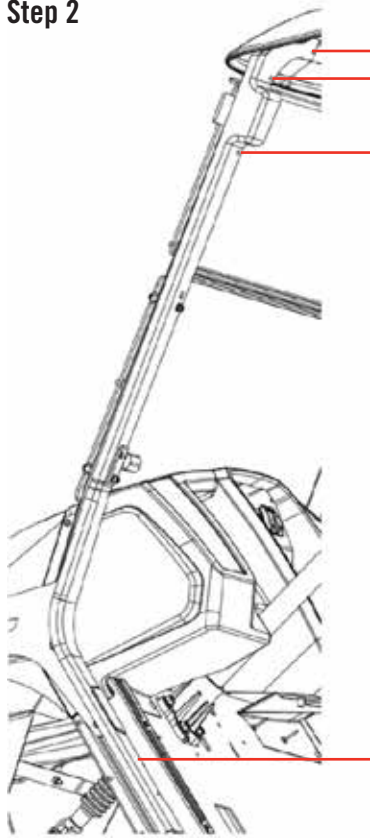
### Step 1



Install LH upper and lower closeouts using existing windshield bolts, torque to 10 in-lb, repeat on right side.

# E-Z-GO HAULER ENCLOSURE INSTALLATION INSTRUCTIONS

## Step 2



Using T30 Torx bit, install thread forming screws in line with pre-existing holes in close outs

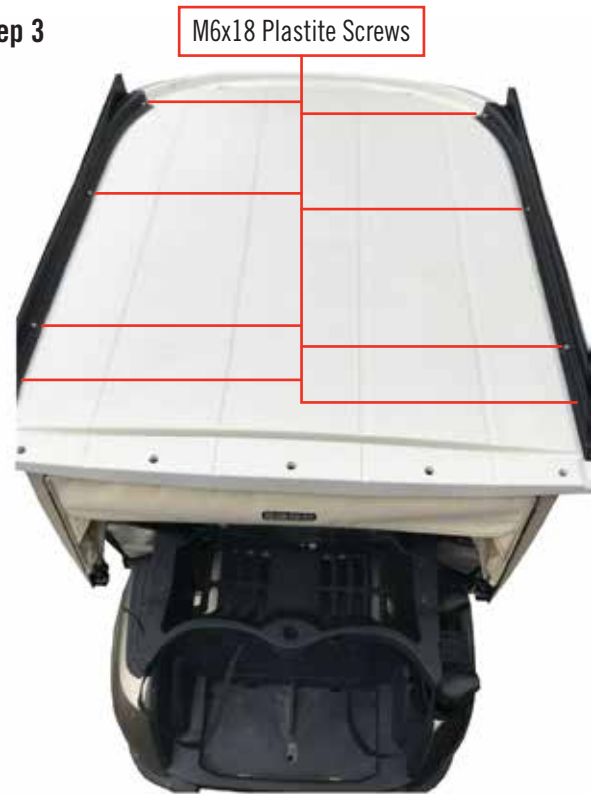
Using the close-outs as a guide, transfer drill 3/16 holes into the struts. Secure close-outs with the 1/4-thread forming screws.

## Step 4



Loosely install LH front side quarter panel to closeout. Repeat on right side

## Step 3



Install rails, using T30 Torx bit, drive M6x18 Plastite screws (8x)  
Torque to 8 in-lb

## Step 5



Loosely install LH side panel to LH rails.  
Repeat on right side

# E-Z-GO HAULER ENCLOSURE INSTALLATION INSTRUCTIONS

## Step 5



Align LH quarter panel with LH side panel to ensure zipper engagement, close zipper. Firmly install panels to rails and closeout. Repeat on right sides.

## Step 6



Install the bead at top of rear panel into lower channel of the cross car rail. Be sure that panel and rail are situated as shown. Center panel on rail.

## Step 7



Install interior cross car rail, with rear panel attached, using M6x12 Plastite screws (3x). Torque to 5 in-lb.



Align LH side panel zipper with rear panel zipper. Close zipper. Repeat on right side.

# E-Z-GO HAULER ENCLOSURE INSTALLATION INSTRUCTIONS

## Step 8



Clean rocker panel, apply 3M primer to rocker panel, assemble male snap to fabric as shown, remove backing paper, snap against rocker panel and apply pressure for 30 seconds. Leave snapped for one hour, repeat on right side.

## Step 9



Secure jame cleat to rocker panel. Use shock cord to adjust tension until tight.

**FOR FEATURES AND CARE VIDEOS, PLEASE VISIT [CLUBPRO.COM/DOWNLOADS](http://CLUBPRO.COM/DOWNLOADS)**