

INSTALLATION INSTRUCTIONS

TXT Cooler Kit 658509
TXT Bucket Kit 664402

READ ALL INSTRUCTIONS BEFORE INSTALLING THIS KIT.

⚠ WARNING

Turn the key to the OFF position and remove it from the switch. Install wheel chocks in front and behind each wheel before starting installation procedure.

⚠ CAUTION

Always wear a safety shield or approved safety goggles when working on the vehicle.

TOOLS

- Ratchet
- Torx Bit, T-30
- Torque Wrench, in. lbs.

KIT CONTENTS

ITEM	QTY	PART NUMBER	DESCRIPTION
1	1	658506	TXT Cooler Bracket
2	1	659155	TXT Cooler Bracket Hardware Kit (Includes item 3)
3	2	*****	Truss Head Screw, 1/4" - 20 X.75
4	1	658503	Beverage Cooler (available with 658509)
		662248	Sand Bucket (available with 664402)
5	1	74848G01	Sand Bucket Scoop (available with 664402)

VEHICLE PREPARATION

1. Compare the kit contents list to the parts packaged in the kit. Make sure all parts are included before beginning installation.
2. Park vehicle on a flat surface.
3. Turn the key to the OFF position and remove the key from the switch.
4. Chock wheels to keep vehicle from rolling.

A. Installation of TXT Cooler Bracket

1. The cooler bracket can be mounted on either side of the vehicle.
2. For installation on the driver side, use the left mounting hole on the bracket. For installation on the passenger side, use the right mounting hole. See Figure 1.

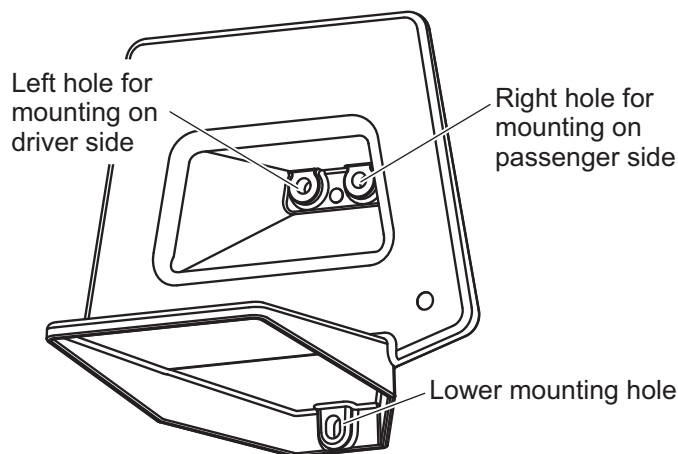


Figure 1

3. Orient the cooler bracket (1) to the bag rack as shown in Figure 2.
4. Attach the bracket (1) using one bolt (3) at the top and one bolt (3) at the bottom as shown below.

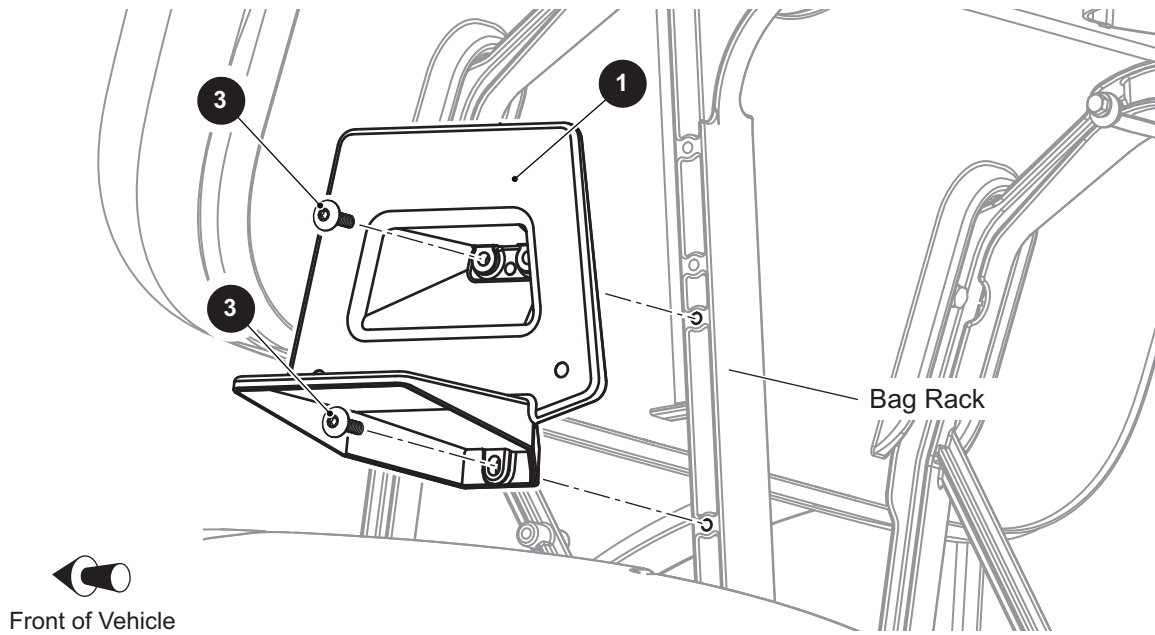


Figure 2

5. Tighten the hardware to a torque of 75 in. lbs. (8.5 N m). Make sure the top bolt is tightened first, followed by the lower bolt.

6. Slide the beverage cooler (4) onto the bracket (1) as shown in Figure 3.

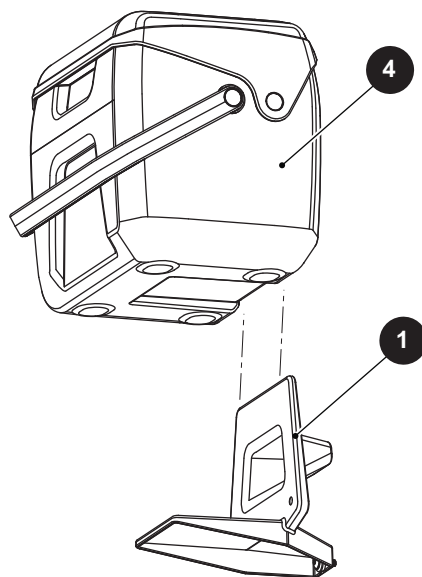


Figure 3

NOTE: Lid has been removed to show scoop (5) inside sand bucket (4)

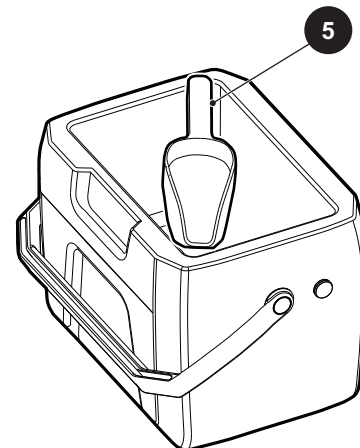


Figure 4